

WINDSOR WINDOW COMPANY

VINYL PATIO DOOR FOOTBOLT INSTALLATION INSTRUCTIONS

1. With active panel in the locked position, drill the 3/8" dia. clearance holes and mark footbolt stop screw locations as shown below. (Drill clearance holes through first wall only.)
2. Install footbolt stops using #6 x 5/8" flat head screws. There must be a minimum 1/16" space between the stops and the roller track. (see figure 1) When installed, the edge of the stops must line up with each other and the edge of the 3/8" clearance holes. **DO NOT OVER TIGHTEN SCREWS!**
3. Measure and drill the 3/32" dia. pilot holes in the active panel and install the footbolt assembly using (2) #8 X 1 1/2" pan head screws. (Make sure you can operate the roller adjustment screw through the access hole in the footbolt assembly.)
4. Check the operation of door. Open and close the door several times, if the panel hits the footbolt stops you may need to raise the panel slightly using the roller adjustment screws.

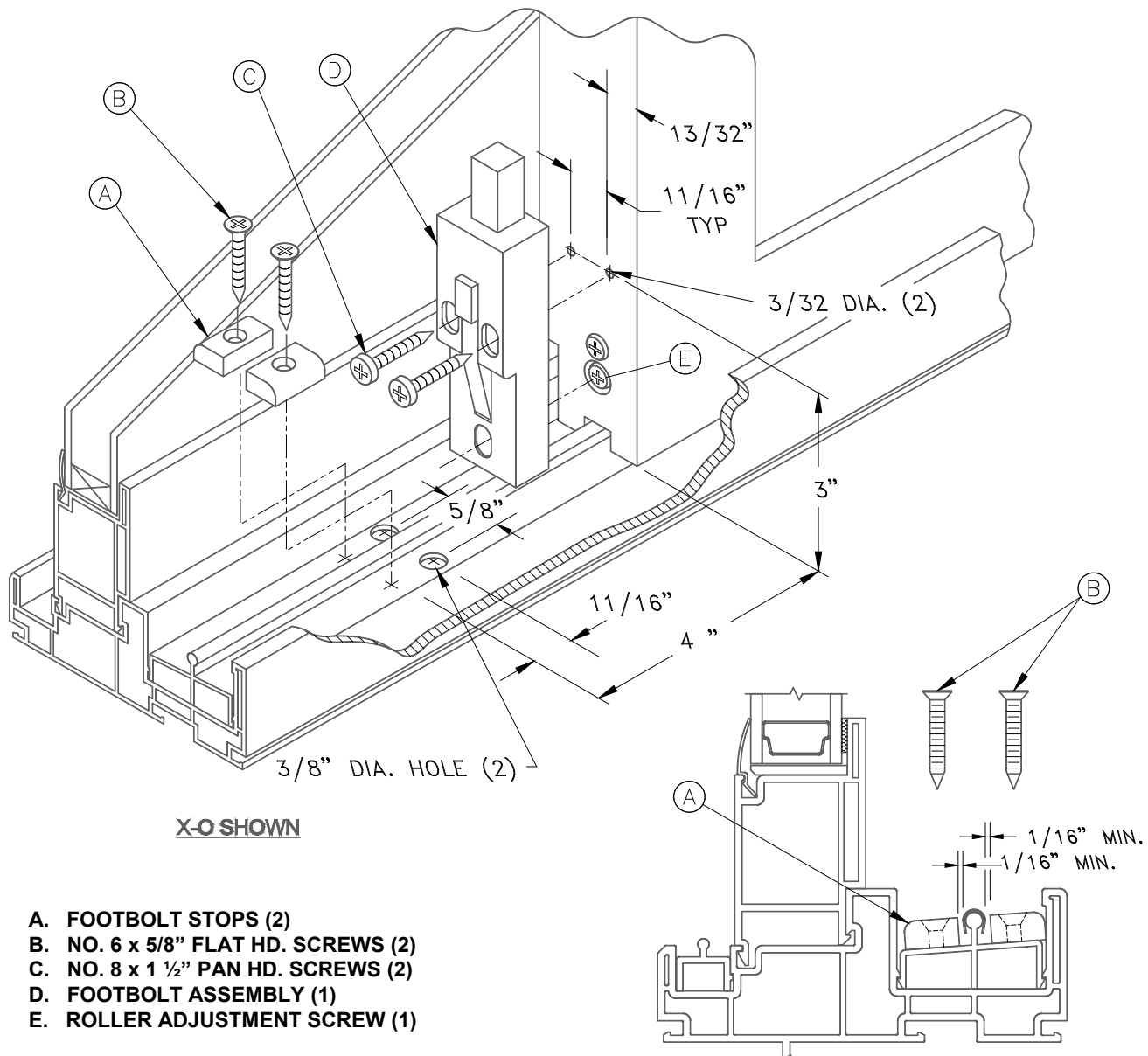


FIGURE 1