



# Drywall Pass-thru Instructions

# Drywall Pass-thru Instructions

## NOTICE:

This window converts into a drywall pass-thru window. Please follow the steps below for conversion.

## WINDOW DISASSEMBLY

1. Remove lower sash.
2. With a wide putty knife, remove the upper lite exterior glazing bead. (See Diagram A) **WARNING: Make sure to restrain the glass so it doesn't fall out during this process.**
3. Carefully tilt out and remove the insulated glass from the window and store in a clean, safe place. (See Diagram B)
4. Remove the screws from the top and bottom on each side of the meeting rail. (See Diagram C)
5. The meeting rail is now free to be removed. With a putty knife, gently pry the meeting rail out toward the exterior.

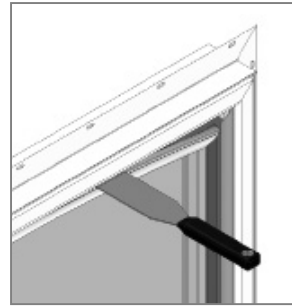


Diagram A

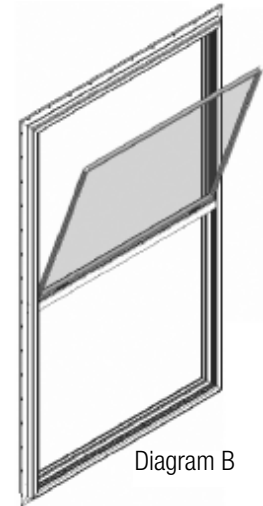


Diagram B

## WINDOW REASSEMBLY

1. Install the meeting rail back into its proper position using (4) screws to hold it in place.
2. Peel off the backing to expose the adhesive on the glazing tape surrounding the glass opening.
3. Make sure that the (2) glass setting blocks are in place and located within 6" from the ends. **Do not block weep holes.**
4. Seal the lock groove at the ends as shown in Diagram D.
5. Place a small dab of silicone at all four corners where the glazing tape is spliced. (See Diagram D) **CAUTION: Once the glass is in place, you will not be able to reposition or remove the glass.**
6. Placing the bottom end in first, tilt the glass into place and press it firmly against the glazing tape.
7. Replace the glazing bead by snapping the top piece in first and working counterclockwise until all four beads are firmly in place.
8. Install the lower sash.

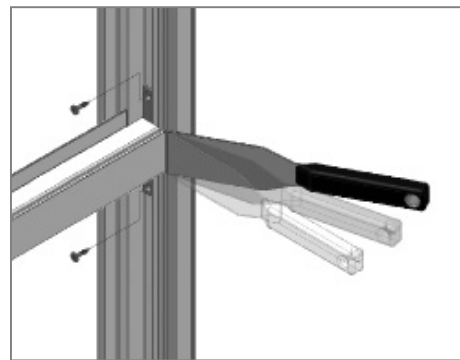


Diagram C

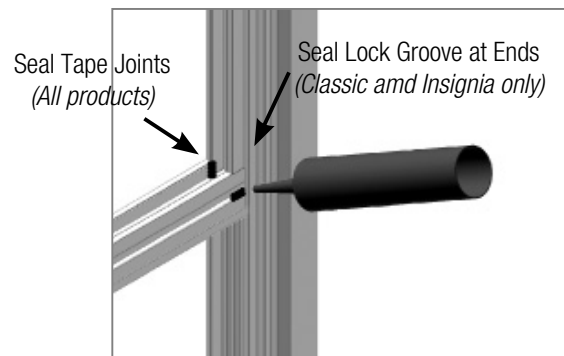


Diagram D